



X-CORE[®] Mini Expandable Vertebral Body Replacement

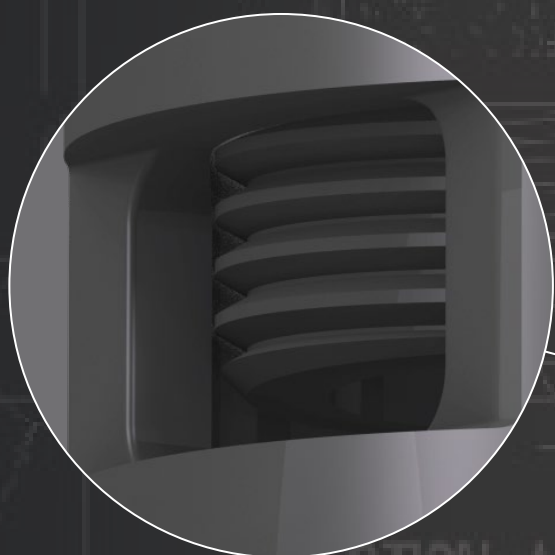


Simple for the Surgeon.
Customizable for the Patient.

X-CORE® MINI VBR. SIMPLE FOR THE SURGEON. CUSTOMIZABLE FOR THE PATIENT.

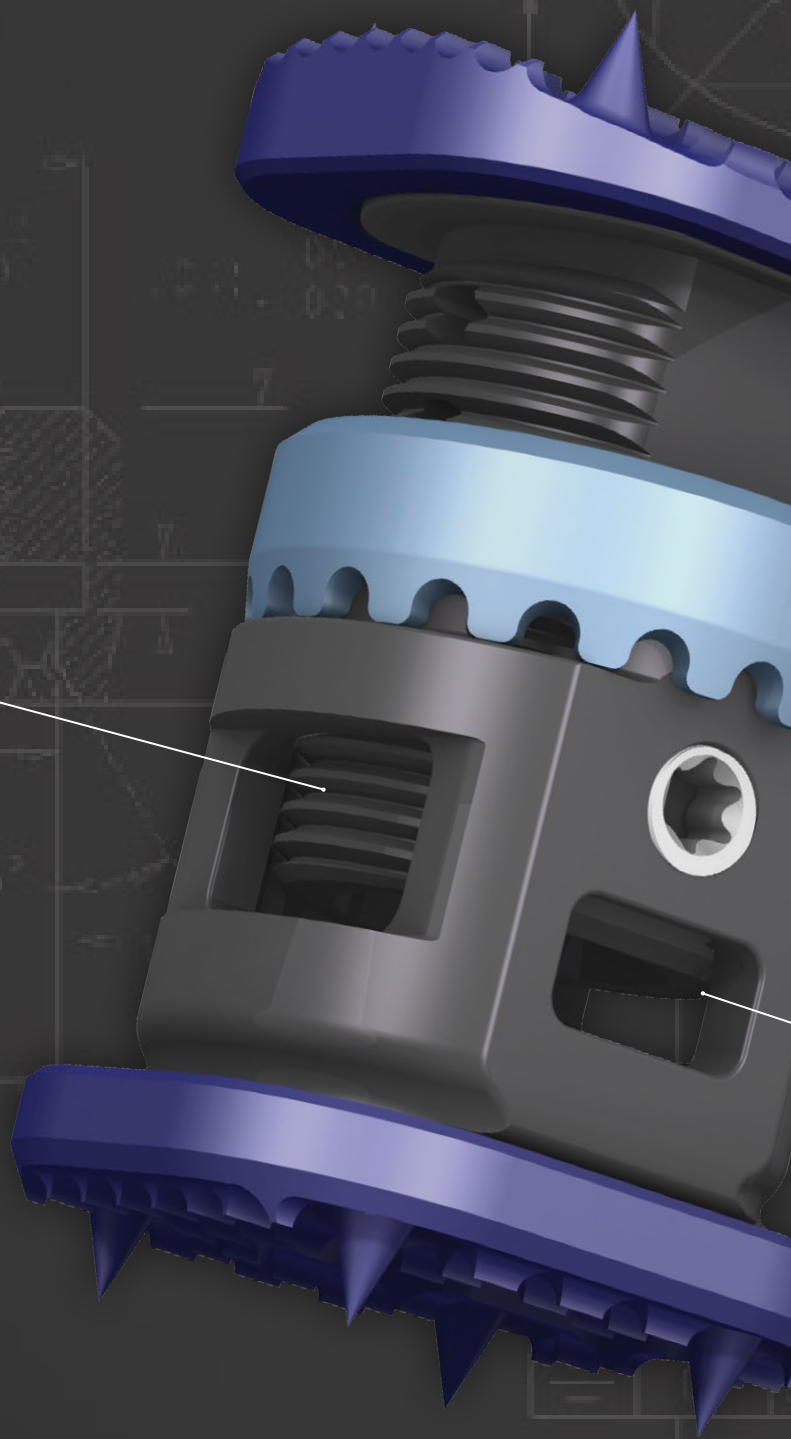
SMOOTH AND ROBUST EXPANDING CORE

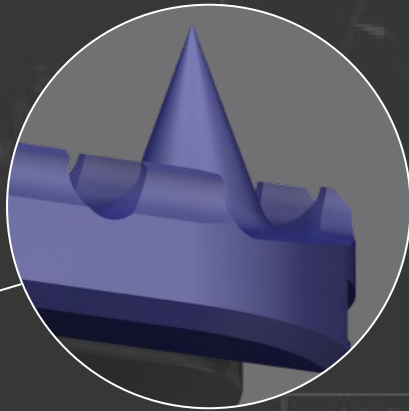
- Double lead threads for quicker expansion
- Strength and safety during expansion



DESIGN RATIONALE:

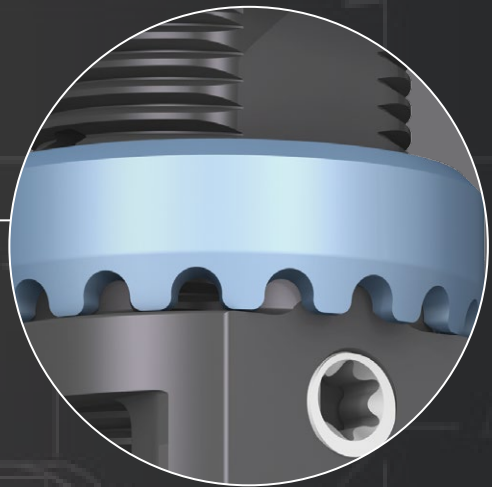
X-CORE® Mini VBR intends to perfectly complement the procedural goals of the spine surgeon: realignment, stabilization and fusion. Inspired by this, the system was required to promote lasting height restoration, sustained neural decompression, restored sagittal balance and robust fusion. Additionally, the system was designed to be Modular, Simple and Versatile. Thanks to these high standards, X-CORE Mini successfully accomplishes its objectives of becoming the premier expandable VBR.





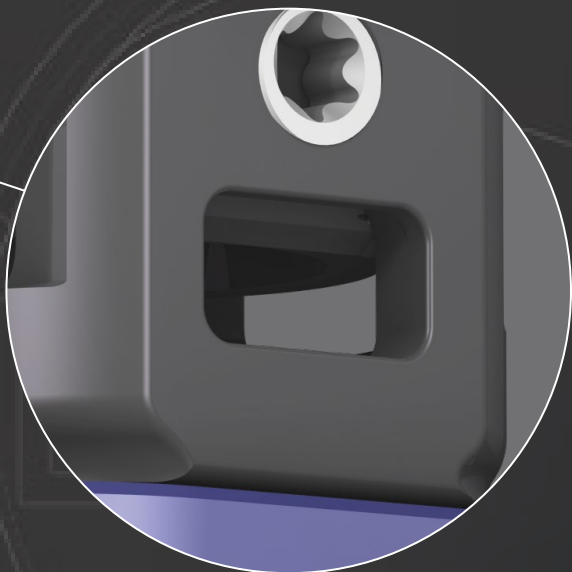
SECURE ENDCAP SPIKES

- 2mm depth to maximize stability



SIMPLE INSERTION/EXPANSION

- Robust spinning sleeve
- Low-profile Inserter

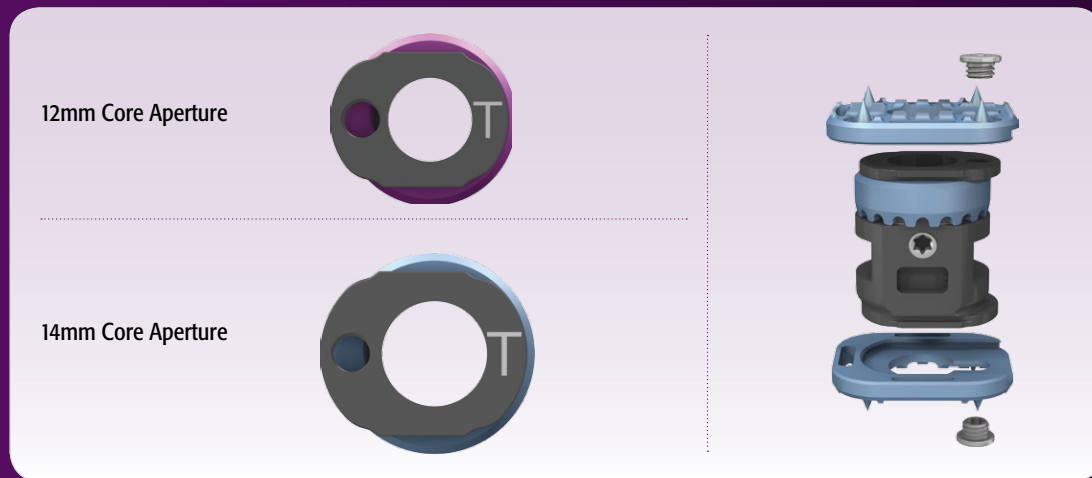


LARGE CENTRAL APERTURE

- Central core aperture allows for larger fusion column
- Large anterior graft window allows for additional packing in situ

X-CORE® MINI VBR OVERVIEW

The size, shape and strength of the vertebral bodies and endplates are dependent on many factors such as age, gender, race, pathology and personal health. X-CORE Mini VBR was designed to provide surgeons with the ability to intraoperatively adapt to and provide solutions for these variations in patient anatomy. Multiple cores and endplates are included as part of the X-CORE Mini VBR system.



ENDCAP SHAPE OPTIONS

Parallel



Contoured



Lordotic 7°



Kyphotic 4°



Angled 30°



ENDCAP FOOTPRINT OPTIONS

Oval 15x12mm



Oval 17x14mm



Oval 19x16mm



Round 14mm



Round 16mm



To order, please contact your NuVasive® Sales Consultant or Customer Service Representative today at:

NuVasive, Inc. 7475 Lusk Blvd., San Diego, CA 92121 USA • phone: 800-475-9131 fax: 800-475-9134

NuVasive UK Ltd. Suite B, Ground Floor, Caspian House, The Waterfront, Elstree, Herts WD6 3BS UK

phone: +44 (0) 208-238-7850 fax: +44 (0) 207-998-7818



www.nuvasive.com

©2014 NuVasive, Inc. All rights reserved. NuVasive, Speed of Innovation, and X-CORE are federally registered trademarks of NuVasive, Inc.

9500920 B

